



neelnox

LET
THERE
BE **DESIGN.**

FEATURES

- Premium 304 Grade Stainless Steel
- Solid Mount Construction
- Concealed Installation Hardware
- Solid End Cap provided for side opposite to the door for a seamless look



Small Rosette
(Dia 1 1/8")



Medium Rosette
(Dia 1 1/4")



Large Rosette
(Dia 1 1/2")



Double Door Handle
shown with a
small Rosette

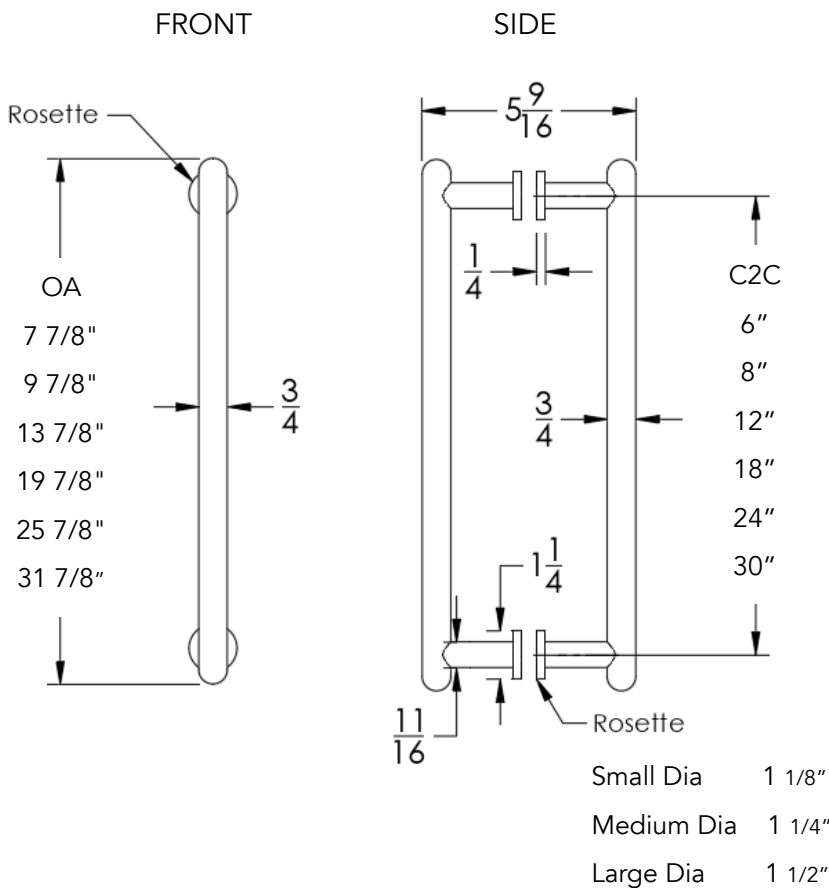
COLLECTION AIRE

DOUBLE DOOR HANDLE

Model	Product	Finishes Available
AIR-DSD-XX-XX	Double Door Handle	Multiple finishes available. Over 23 finishes to choose from.

FINISHES			
Polished (-P)	Antique Copper (-ACOP)	Polished Gold (-PGLD)	
Brushed (-B)	Polished Brass (-PBRS)	Brushed Copper (-BCOP)	
Brushed Gold (-BGLD)	Matte White (-WHT)	Brushed Rose Gold (-BRGD)	
Matte Black (-BLK)	Brushed Modern Bronze (-BMBRZ)	Brushed Black (-BRBLK)	
Oil Rubbed Bronze (-ORB)	Glossy White (-GWHT)	Polished Black (-PBLK)	
Brushed Brass (-BBRS)	Polished Rose Gold (-PRGD)	Antique Nickel (-ANKL)	
Brushed Bronze (-BBRZ)	Unlacquered Brass (-UBRS)	Black Nickel (-NKBL)	
Antique Brass (-ABRS)	Polished Nickel (-PNKL)		

OA	C2C	Small Rosette	Medium Rosette	Large Rosette
7 7/8"	6"	AIR-DSD6-SR	AIR-DSD6-MR	AIR-DSD6-LR
9 7/8"	8"	AIR-DSD8-SR	AIR-DSD8-MR	AIR-DSD8-LR
13 7/8"	12"	AIR-DSD12-SR	AIR-DSD12-MR	AIR-DSD12-LR
19 7/8"	18"	AIR-DSD18-SR	AIR-DSD18-MR	AIR-DSD18-LR
25 7/8"	24"	AIR-DSD24-SR	AIR-DSD24-MR	AIR-DSD24-LR
31 7/8"	30"	AIR-DSD30-SR	AIR-DSD30-MR	AIR-DSD30-LR



Installation Notes: Center to center hole drilling dimension are same as mentioned in column. Diameter of glass hole for installation is 1/2".

Standard hardware supplied can accommodate glass thicknesses 1/4" to 1/2". Please contact us for custom hardware in case glass thickness exceeds 1/2".



Dimensions in inches

NOTE: Dimensions subject to change without notice.